

415 Series - Screw Terminal Power Relay 15 Amps - SPDT, DPDT



The 415 Series is a compact, 15 Amp, Base Mounted Industrial Relay. It is versatile relay that offers a variety of contact configurations and options.

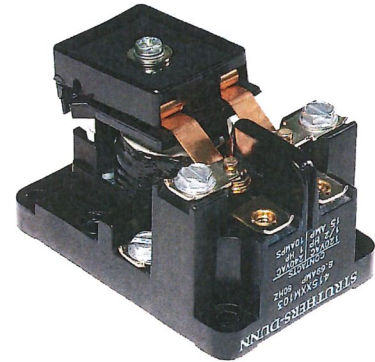
Excellent contact wipe assures long mechanical life and contact reliability even at low level loads. Screw Terminals are standard with optional QC terminals that are **UL Recognized Components**.

Other options include: High Voltage or High inrush contacts, Permanent Blowout Magnet for DC Switching, and low-power coils.

GENERAL SPECIFICATIONS (@ 25° C)

Contacts:

Contact Configuration	DPDT
Contact Material	Silver Alloy
Contact Rating	
120 / 240VAC Resistive	15 Amp
28VDC Resistive	15 Amp
Motor 120VAC 1 Phase	1/2Hp
Motor 240VAC 3 Phase	1Hp
Contact Resistance, Initial	50 milliohms max. @ 6VDC



Coil:

Coils Available	AC and DC
Nominal Coil Power	AC: 6VA, DC: 3.5W
Input Voltage Tolerance - AC	85% to 110% of nominal
Input Voltage Tolerance - DC	80% to 110% of nominal
Drop-out voltage	10% of nominal
Duty	Continuous

Timing:

Operate Time (max)	25 ms
Release Time (max)	10 ms

Dielectric Strength:

Across Open Contacts	1,000Vrms
Between mutually insulated point	1,500Vrms
Insulation resistance	1000 Mohms min. @ 500VDC

Temperature:

Operating	AC: -40 to 55°C (-49 to 131°F) DC: -40 to 70°C (-49 to 158°F)
Storage	-40 to 105°C (-40 to 221°F)

Life Expectancy:

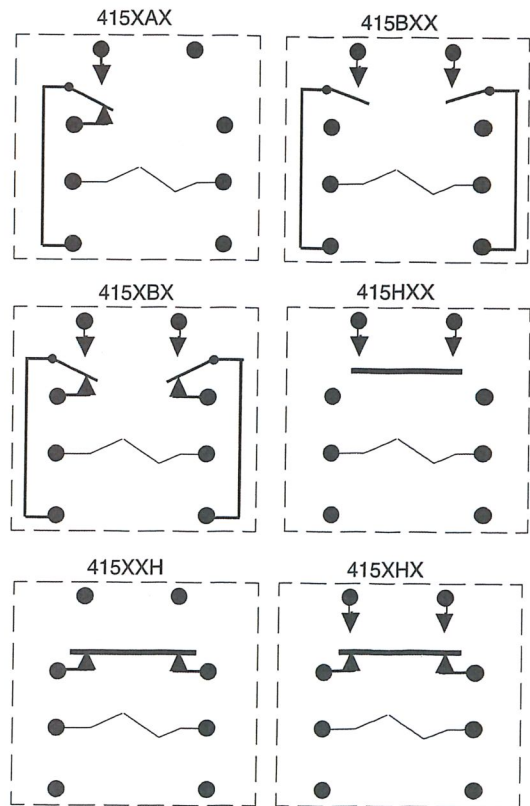
Electrical (full load)	200,000
Mechanical (no load)	20,000,000

Miscellaneous:

Mounting Position	Vertical - Contacts Up
Enclosure	Open
Weight	4.0 oz. (113 grams)

WIRING DIAGRAMS

TOP VIEW



415 Series - Screw Terminal Power Relay 15 Amps - SPDT, DPDT

Coil Data

415 AC Coils Specifications

mAmps @ nominal voltage

Nominal Voltages (VAC)	Resistance ohms ± 10%	Inrush current	Sealed coil
6	1.5	1800	1000
12	6.3	900	500
24	25	450	250
48	100	225	125
120	620	90	50
240	2500	45	25

415 DC Coils Specifications

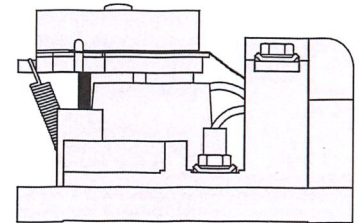
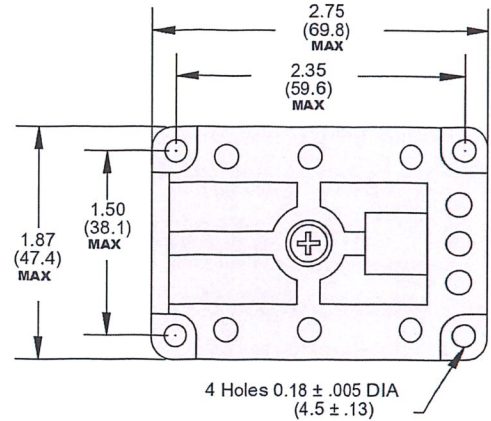
mAmps @ nominal voltage

Nominal Voltages (VDC)	Resistance ohms ± 10%	Coils Cold	Coils Hot
6	10	600	500
12	40	300	250
24	155	150	125
32	390	112	95
48	620	75	62
115/125	4000	31	26

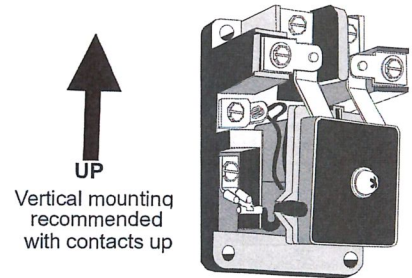
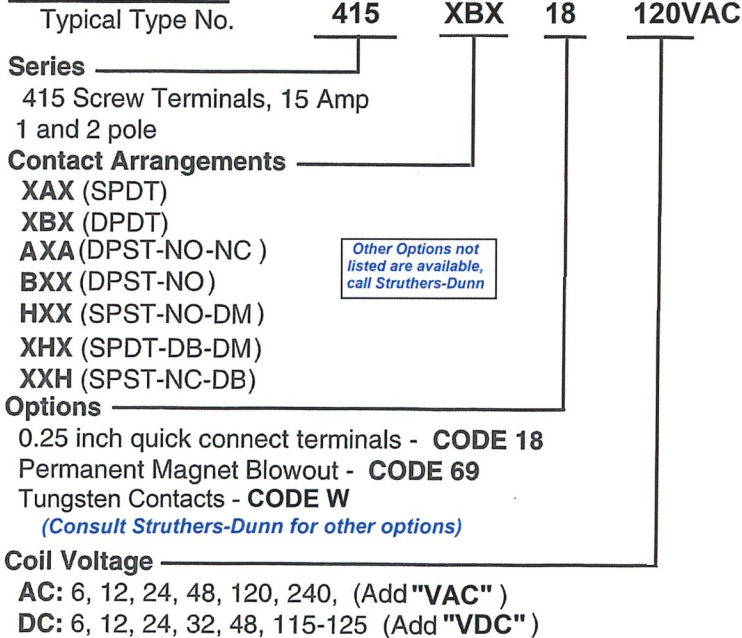


Outline Dimensions

Dimensions Shown in inches & (millimeters)



ORDERING CODE



Special coils: Low Power (mW), series coils.
High Inrush contacts: 10 Amps continuous, 150 Amp Inrush.
High Voltage Contacts: Up to 4KV